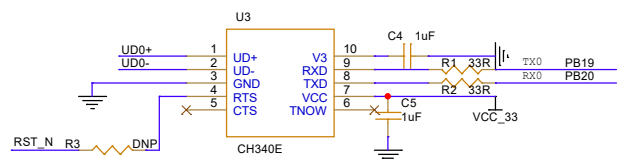
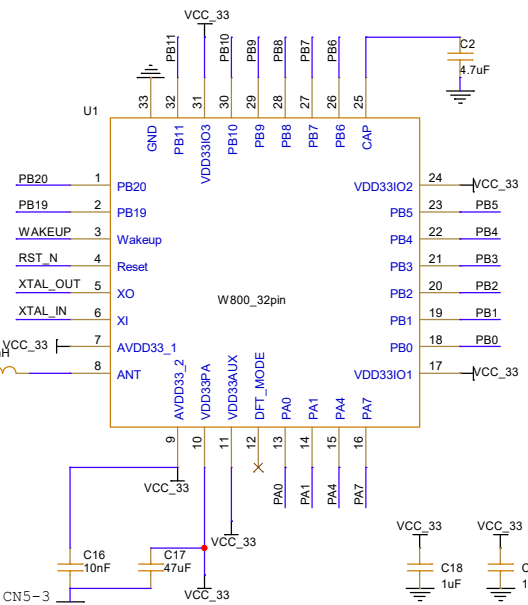
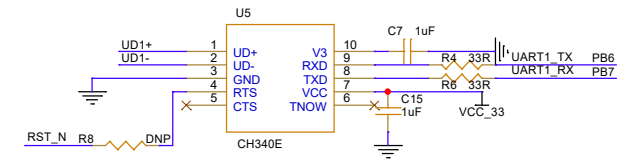


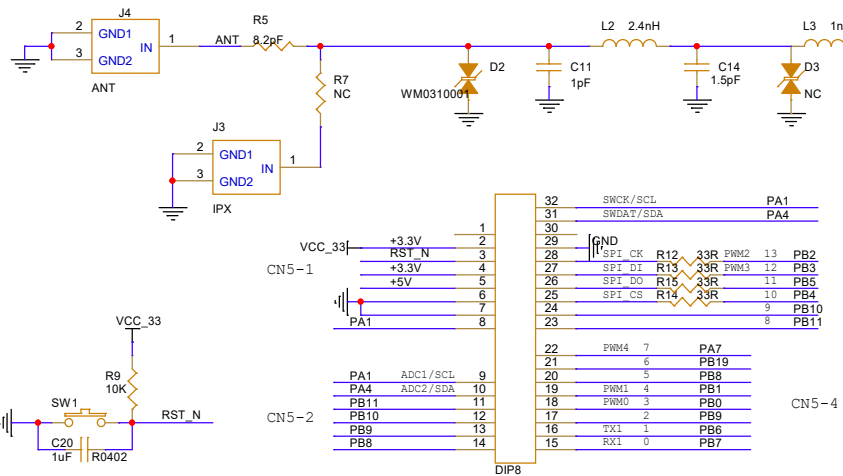
40M Crystal



USB to Uart0

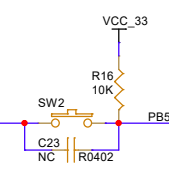


USB to Uart1

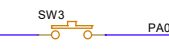


Arduino Interface

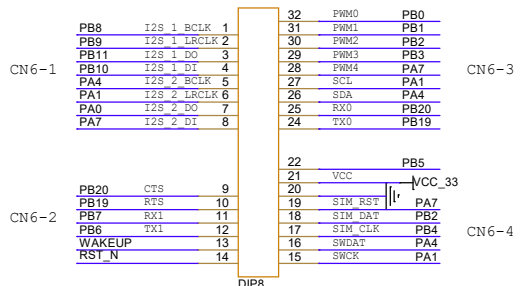
RESET key



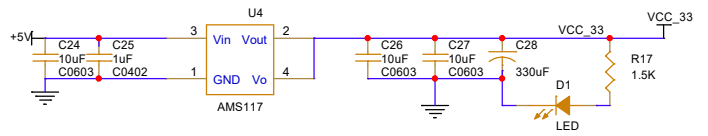
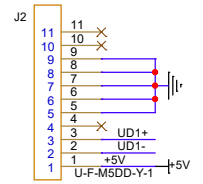
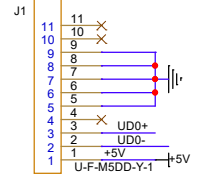
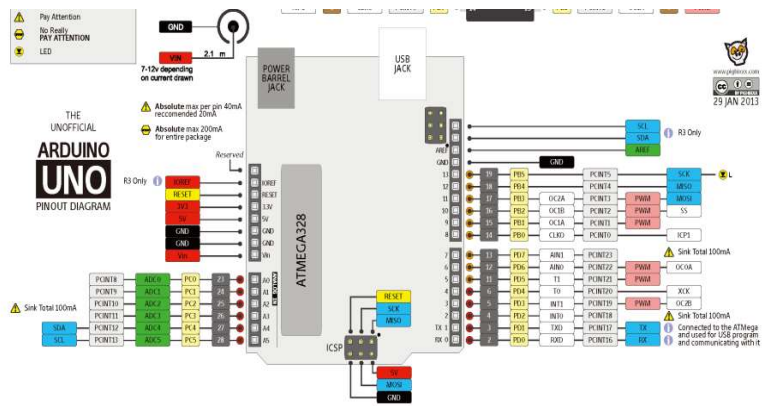
USER key



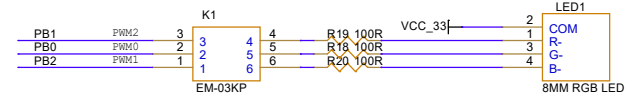
BOOT KEY



Chip Interface



LDO power supply



Title		Arduino_board	
Size	A3	Document Number	Rev 1.0
Date:	Page	Modify Date	Sheet 1 of 1